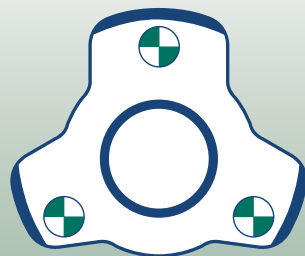
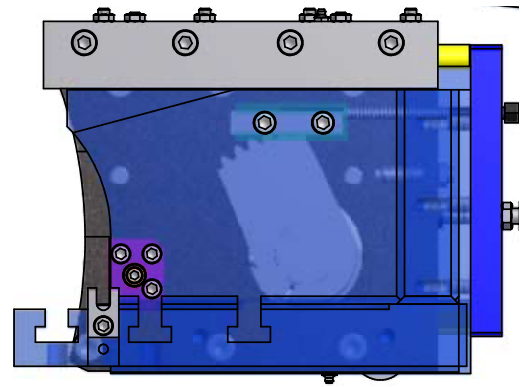
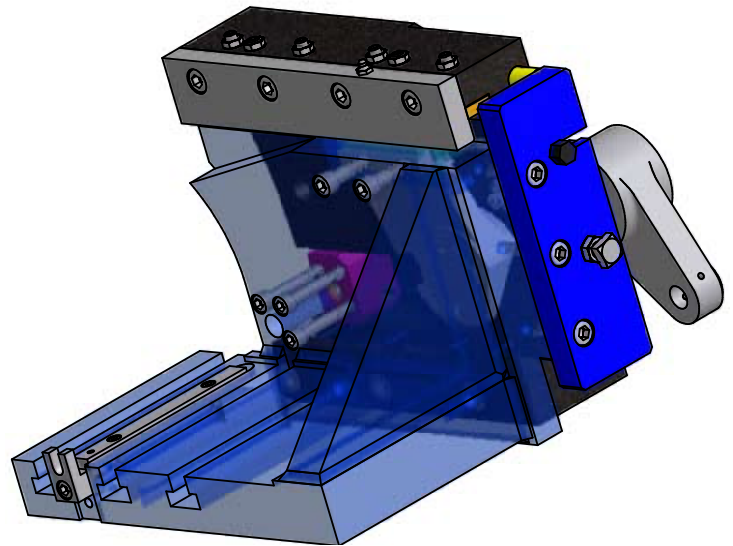


3rd & 6th Position Shelf Slides

- **New Shelf Slide for Acmes**
- **Slides are Ground & Square**
- **Slide is hand-scraped into base for maximum contact area**
- **Extra lubrication points for longevity**
- **Slides are manufactured to National Acme Specifications**
- **Replacement parts available**
- **Rebuilding service for your existing slides**
- **Trade in your worn out slides**
- **Installation available**



BME INC.
Screw Machine Solutions

Service you can trust!

www.bmeattachments.com