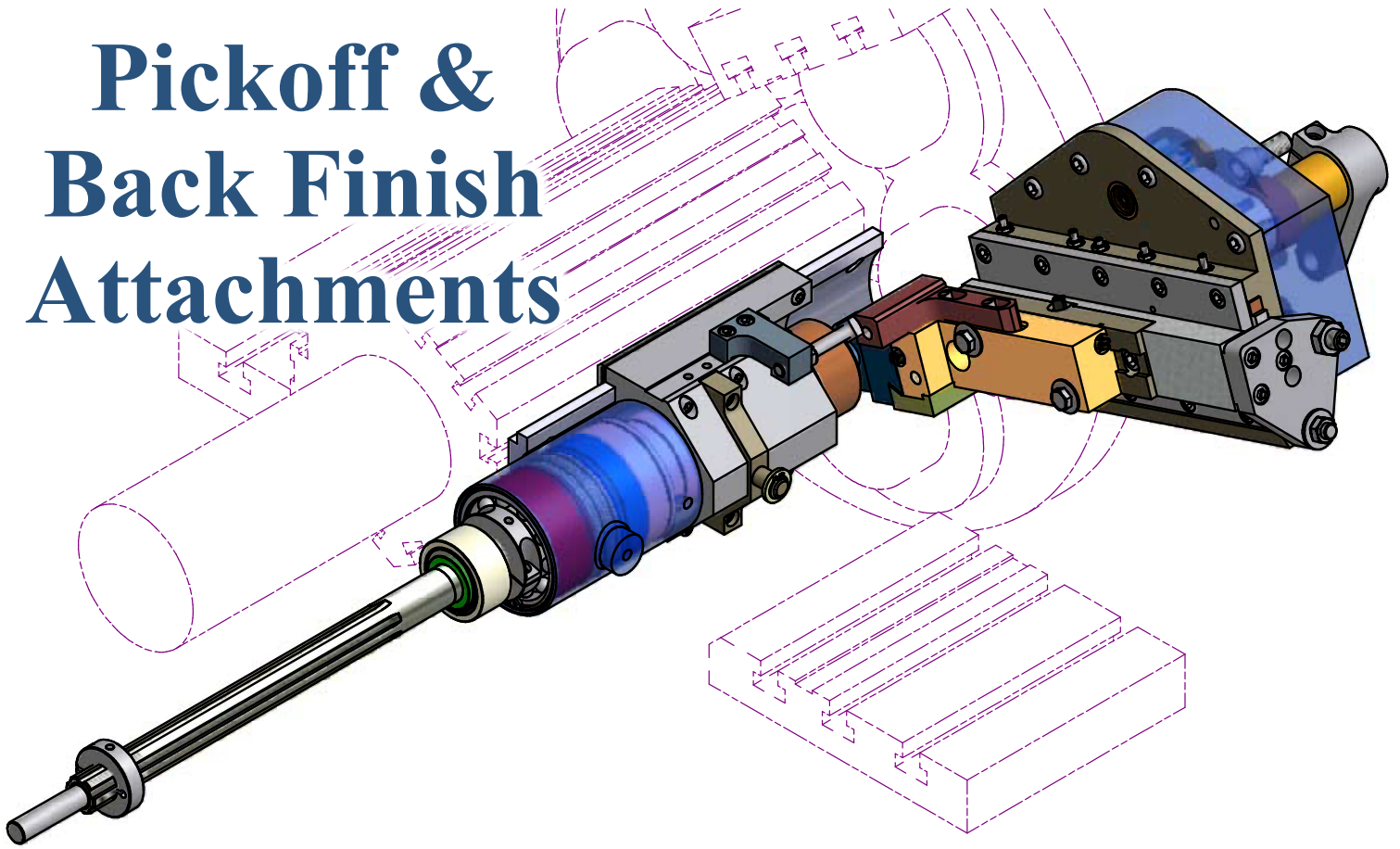


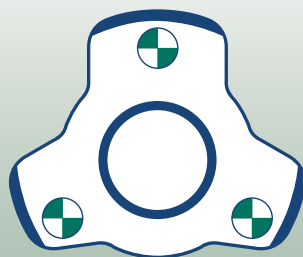
Pickoff & Back Finish Attachments



- Standard National Acme Pickoff Attachments
- Manufactured to Acme specifications
- Made from high quality materials
- Slides are hardened and ground
- Pneumatic packages available
- Engineered for custom applications

**Free Installation included
with purchase of entire
Pickoff/Backfinish
Assembly**

TRAINING ON SITE



BME INC.
Screw Machine Solutions

Service you can trust!

www.bmeattachments.com

Office 810.937.2974 / Fax 810.937.2975