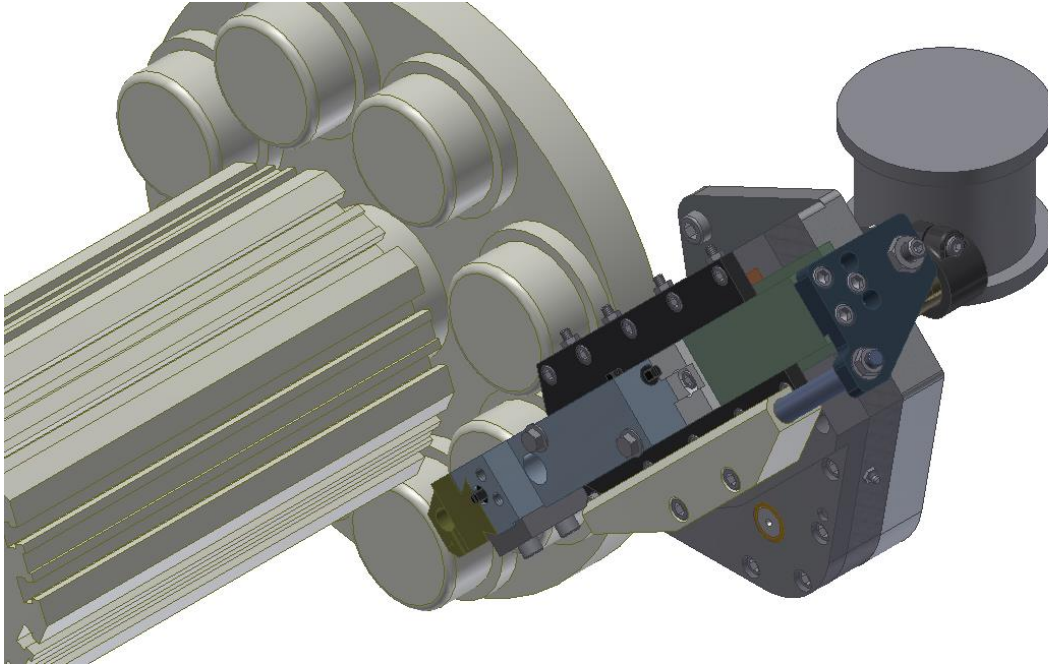


### Back Finish Slide Assemblies for National Acme's



- **Complete New Back Finish Slide Assemblies for Most Acme's, including 7/16" RA-6**
- **Components Heat Treated and Ground, including gears**
- **Designed and Manufactured to National Acme specifications**
- **Installation and Training Available**
- **Engineering Services for custom applications**
- **Custom Tool Blocks available upon request**
  
- **Contact BME for Pneumatic Style attachments or Over Under slide if a mechanical attachment is not the direction you wish to go**

[www.bmeattachments.com](http://www.bmeattachments.com)

3763 Lapeer Avenue, Suite 2E – Port Huron, MI 48060

Office 810.937.2974 / Fax 810.937.2975

