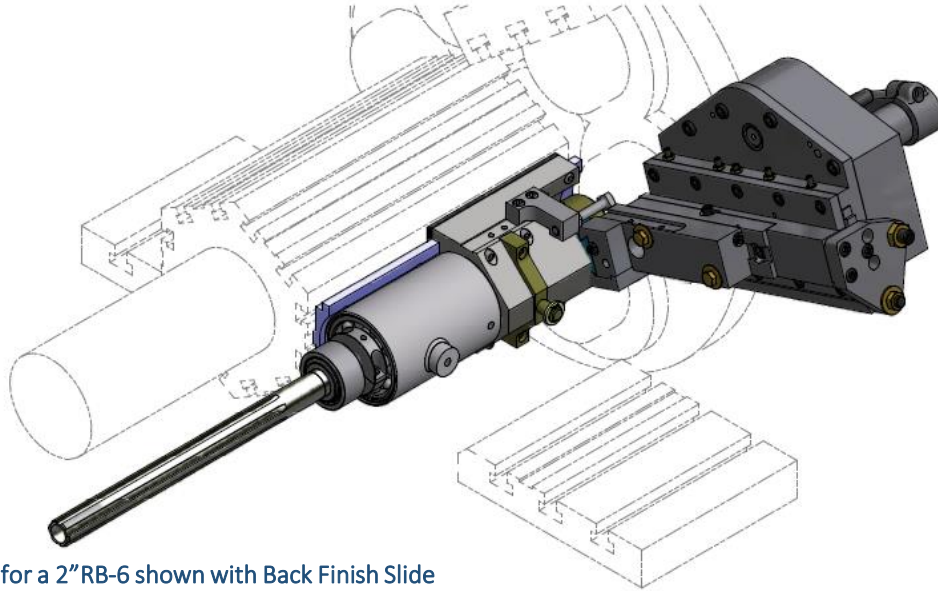


## Air Operated Pick Off Assemblies for National Acme Machines



Pictured Unit for a 2"RB-6 shown with Back Finish Slide

- **Standard National Acme Air Operated Pickoffs for most size machines, included 7/16"-RA6**
- **Manufactured to Acme specifications**
- **Made from High Quality materials**
- **Hardened and Ground Components**
- **Sealed Bearings, included the front angular contact bearing**
- **Replacement Parts available for existing units**
- **Rebuild Services available for existing units**
- **Pneumatic control packages available**
- **Engineering Services for Custom applications**
- **Installation available**
- **On Site Training Available**

[www.bmeattachments.com](http://www.bmeattachments.com)

3763 Lapeer Avenue, Suite 2E – Port Huron, MI 48060

Office 810.937.2974 / Fax 810.937.2975

